

Plastic Flowmeter

PMBC



WATER



AIR



OVERVIEW

Operation

- Float measuring principle

Application

- Pilot plants
- Water treatment
- Pharmaceutical industry
- Chemical Processes
- Heat treatment

Features

- Small size
- Low cost
- Easy readable scale
- Easy installation
- Low pressure drop
- Vertical position
- Weight: 75 gr

OPERATING DATA

Operating pressure,max	10 bar
Temperature limit	-10°C... +60°C
Accuracy	±3% full scale

MEASURING RANGES

Fluid Water	3-250 L/H & 10-1000 cc/min & 0.2-65 G/h
Fluid Air	0.1-600 L/H & 50-1000 cc/min & 0.1-6 NM ³ /H & 0.5-200 SCF/H

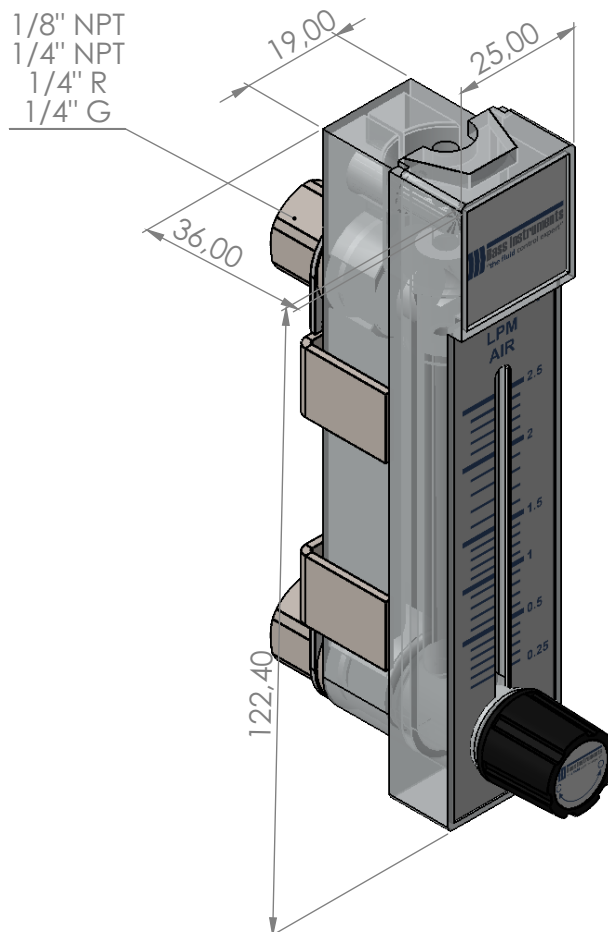
Note:

- L/H (Litter per hour)
- cc/min (cc per minute)
- G/H (Gallon(us) per hour)
- NM³/H (Normal cubic meter per hour)
- SCF/H (Standart cubic feet per hour)

MATERIALS

Wetted parts material	Polycarbonate(PC) O-Ring- Viton(standart)
Valve material	SS316 & POM
Connection material	SS316 & POM

TECHNICAL DRAWING



ORDERING INFORMATION

A. Fluid Type: AIR

Flow Range	Float Material	Ordering Code
50-500 CC/MIN	POM	PMBC-V-P-A-500-C
70-700 CC/MIN	POM	PMBC-V-P-A-700-C
0.1-1 L/MIN	POM	PMBC-V-P-A-1-LM
100-1000 CC/MIN	POM	PMBC-V-P-A-1000-C
0.2-2 L/MIN	POM	PMBC-V-P-A-2-C
0.25-2.5 L/MIN	SS316	PMBC-V-S-A-2.5-LM
0.4-4 L/MIN	SS316	PMBC-V-S-A-4-LM
0.5-5 L/MIN	SS316	PMBC-V-S-A-5-LM
0.6-6 L/MIN	SS316	PMBC-V-S-A-6-LM
1-10 L/MIN	POM	PMBC-V-P-A-10-LM
1.5-15 L/MIN	POM	PMBC-V-P-A-15-LM
2.5-25 L/MIN	SS316	PMBC-V-S-A-25-LM
2.5-25 L/MIN	POM	PMBC-V-P-A-25-LM
3-30 L/MIN	POM	MBC-V-P-A-30-LM
4-40 L/MIN	SS316	PMBC-V-S-A-40-LM
4-40 L/MIN	POM	PMBC-V-P-A-40-LM
5-50 L/MIN	SS316	PMBC-V-S-A-50-LM
7-70 L/MIN	SS316	PMBC-V-S-A-70-LM
8-80 L/MIN	SS316	PMBC-V-S-A-80-LM
10-100 L/MIN	SS316	PMBC-V-S-A-100-LM
12-120 L/H	POM	PMBC-V-P-A-120-LH
25-250 L/H	SS316	PMBC-V-S-A-250-LH
35-350 L/H	SS316	PMBC-V-S-A-350-LH
60-600 L/H	POM	PMBC-V-P-A-600-LH
0.1-1 NM ³ /H	POM	PMBC-V-P-A-1-MH
0.15-1.5 NM ³ /H	SS316	PMBC-V-S-A-1.5-MH
0.2-2 NM ³ /H	POM	PMBC-V-P-A-2-MH
0.25-2.5 NM ³ /H	SS316	PMBC-V-S-A-2.5-MH
0.4-4 NM ³ /H	SS316	PMBC-V-S-A-4-MH
0.5-5 NM ³ /H	SS316	PMBC-V-S-A-5-MH
0.6-6 NM ³ /H	SS316	PMBC-V-S-A-6-MH
0.5-5 SCF/H	POM	PMBC-V-P-A-5-SH
1-10 SCF/H	SS316	PMBC-V-S-A-10-SH
1.2-12 SCF/H	SS316	PMBC-V-S-A-12-SH

2-20 SCF/H	POM	PMBC-V-P-A-20-SH
3-30 SCF/H	POM	PMBC-V-P-A-30-SH
5-50 SCF/H	SS316	PMBC-V-S-A-50-SH
7-70 SCF/H	POM	PMBC-V-P-A-70-SH
8-80 SCF/H	SS316	PMBC-V-S-A-80-SH
14-140 SCF/H	SS316	PMBC-V-S-A-140-SH
16-160 SCF/H	SS316	PMBC-V-S-A-160-SH
20-200 SCF/H	Ss316	PMBC-V-S-A-200-SH

B. Fluid Type: Water

Flow Range	Float Material	Ordering Code
10-100 CC/MIN	SS316	PMBC-V-S-W-100-C
25-250 CC/MIN	POM	PMBC-V-P-W-250-C
30-300 CC/MIN	POM	PMBC-V-P-W-300-C
50-500 CC/MIN	POM	PMBC-V-P-W-500-C
100-1000 CC/MIN	SS316	PMBC-V-S-W-1000-C
0.6-6 L/H	SS316	PMBC-V-S-W-6-LH
0.8-8 L/H	POM	PMBC-V-P-W-8-LH
1.5-15 L/H	POM	PMBC-V-P-W-15-LH
2-20 L/H	POM	PMBC-V-P-W-20-LH
2.5-25 L/H	POM	PMBC-V-P-W-25-LH
3-30 L/H	POM	PMBC-V-P-W-30-LH
5-50 L/H	SS316	PMBC-V-S-W-50-LH
8-80 L/H	SS316	PMBC-V-S-W-80-LH
15-150 L/H	SS316	PMBC-V-S-W-150-LH
20-200 L/H	SS316	PMBC-V-S-W-200-LH
25-250 L/H	SS316	PMBC-V-S-W-250-LH
0.2-2 G/H	POM	PMBC-V-P-W-2-GH
0.5-5 G/H	POM	PMBC-V-P-W-5-GH
0.8-8 G/H	POM	PMBC-V-P-W-8-GH
1.3-13 G/H	SS316	PMBC-V-S-W-13-GH
2-20 G/H	SS316	PMBC-V-S-W-20-GH
4-40 G/H	SS316	PMBC-V-S-W-40-GH
5-50 G/H	SS316	PMBC-V-S-W-50-GH
6.5-65 G/H	SS316	PMBC-V-S-W-65-GH

CONNECTION SIZE

- 1/8" NPT female
- 1/4"NPT female,
- R1/4,G1/4" available